



MANUFACTURERS AND SUPPLIERS OF ENGINEERING PRODUCTS, BRICK AND BLOCK MAKING
PLANT AND CERAMIC MACHINERY

Telephone: +27 +11 493-6280
Telefax: +27 +11 493-1677
PO Box 38078 Booyens 2016
55 Booyens Road
Johannesburg 2091
e-mail: ehrenberg@global.co.za

SOLID BRICK HAND MOULD

Further to our existing range of Hollow Cement Block Hand Moulds we herewith introduce the Solid Brick Hand Mould, suitable for the rural home builder and D.I.Y. enthusiast.

MOULD

222 x 73 x 106mm (9 x 3 x 4½")

OVERALL DIMENSIONS

Length	580mm
Width	280mm
Height	570mm

WEIGHT

approx 30kg

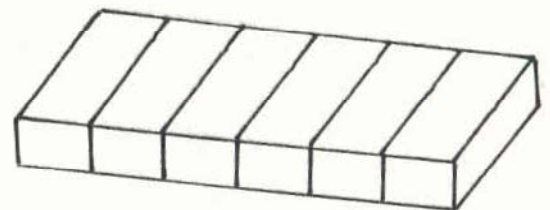
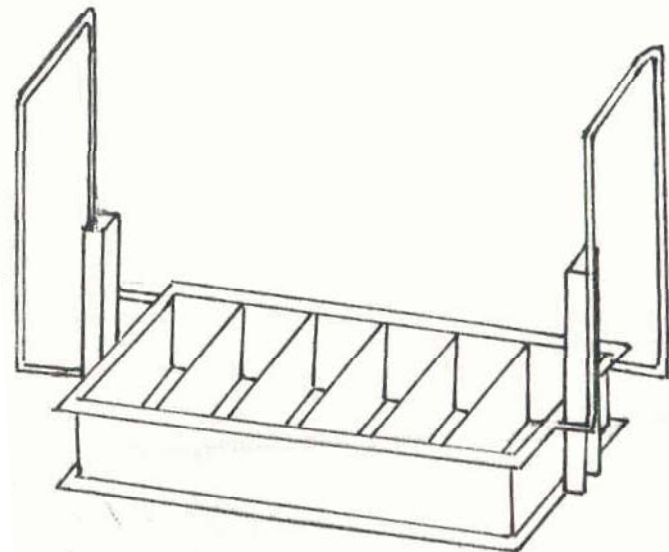
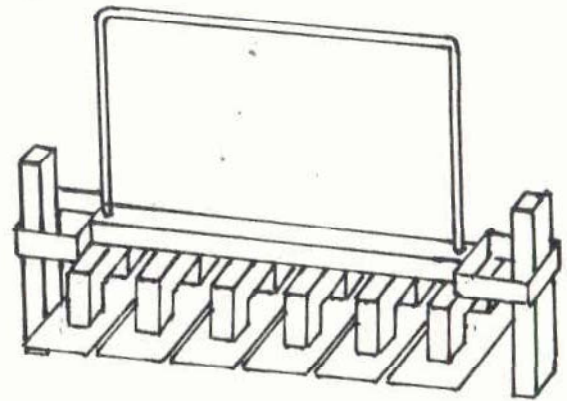
PRODUCTION

approx 1200 - 1800 bricks per day on flat floor

CASH PRICE (EX WORKS JOHANNESBURG)

TOTAL CASH PRICE (Available upon request)

=====





MANUFACTURERS AND SUPPLIERS OF ENGINEERING PRODUCTS, BRICK AND BLOCK MAKING
PLANT AND CERAMIC MACHINERY

Telephone: +27 +11 493-6280
Telefax: +27 +11 493-1677
PO Box 38078 Booyens 2016
55 Booyens Road
Johannesburg 2091
e-mail: ehrenberg@global.co.za

HOLLOW BLOCK HAND MOULD

We herewith have pleasure in introducing our
Hollow Cement Block Hand Mould, suitable for
the rural home builder and D.I.Y. enthusiast.

MOULDS

448 x 219 x 219mm	(18 x 9 x 9")
448 x 219 x 150mm	(18 x 9 x 6")
448 x 219 x 108mm	(18 x 9 x 4½")

OVERALL DIMENSIONS

Length	580mm
Width	280mm / 210mm / 170mm
Height	575mm

WEIGHT

approx 30kg

PRODUCTION

approx 300 blocks per day on flat floor

CASH PRICE (EX WORKS JOHANNESBURG)

Mould

Plus: 14% V.A.T.

TOTAL CASH PRICE (Available upon request)

=====

